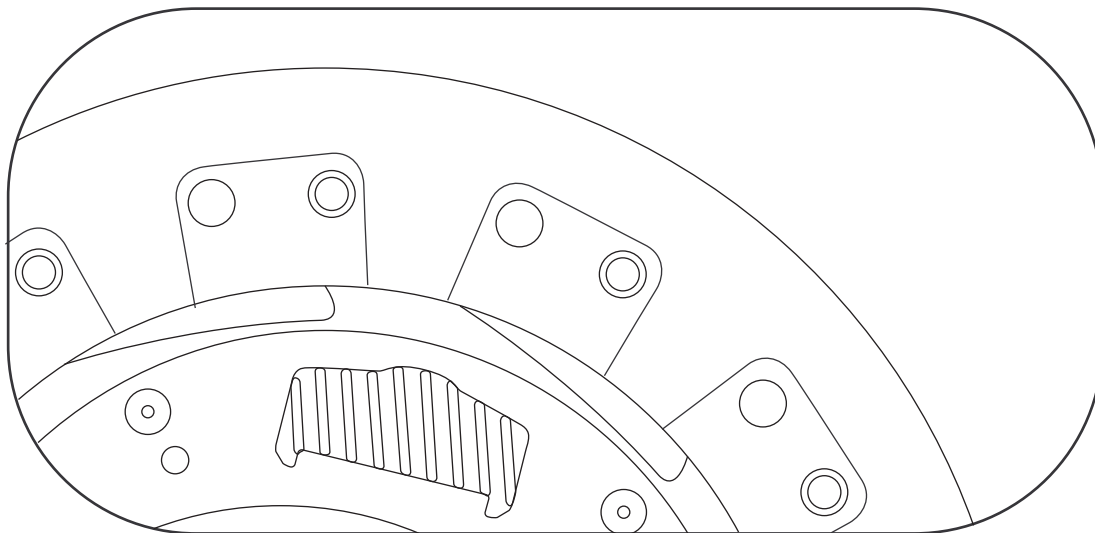


IMPORTANT BREAK-IN PERIOD

To allow the friction material to properly seat to the flywheel and pressure plate, all Clutch Masters clutches require a minimum break-in period of 500 miles of normal stop-and-go driving (no full throttle shifting or compression braking) before full abuse can be initiated.

***MINIMUM 500
REQUIRED BREAK-IN MILES!***



clutchmasters.com

Tech Line (909)877-6800