

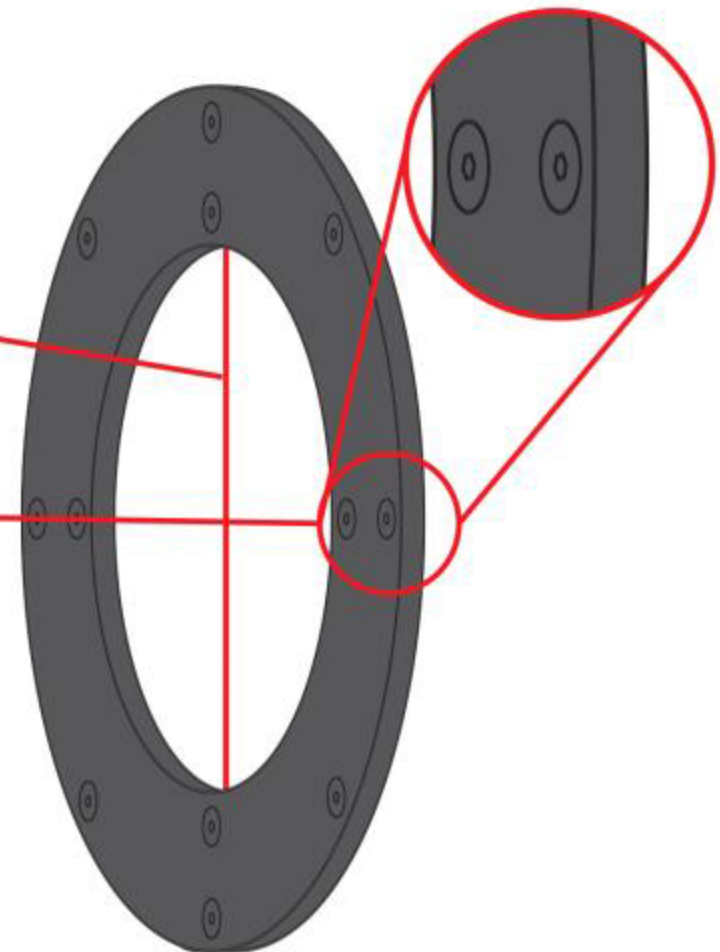
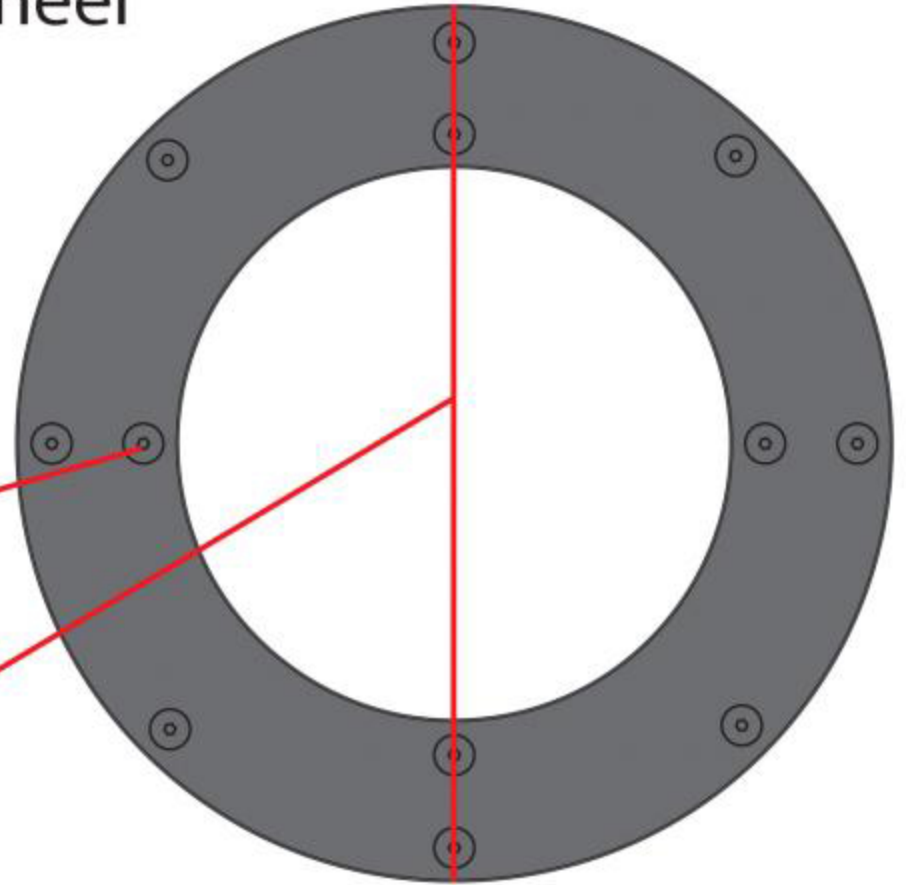
To determine the correct flywheel insert for your flywheel, you'll first need to identify 4 key specs:

1. Number of Fasteners

2. Outside Diameter

3. Inside Diameter

4. Thickness of Insert



*If you have any questions, don't hesitate to call or email.
Phone: 909-877-6800
Email: sales@clutchmasters.com*

